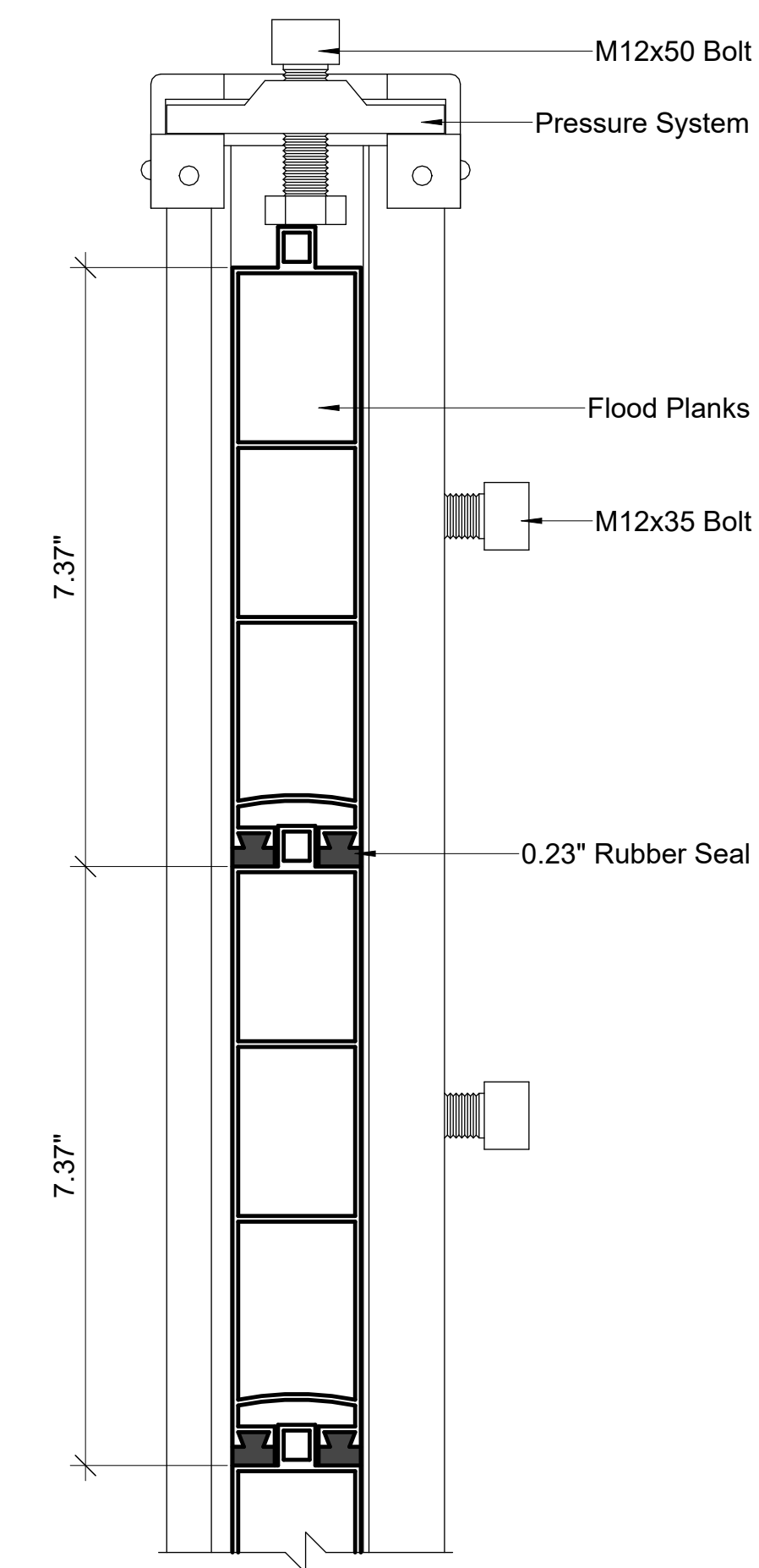
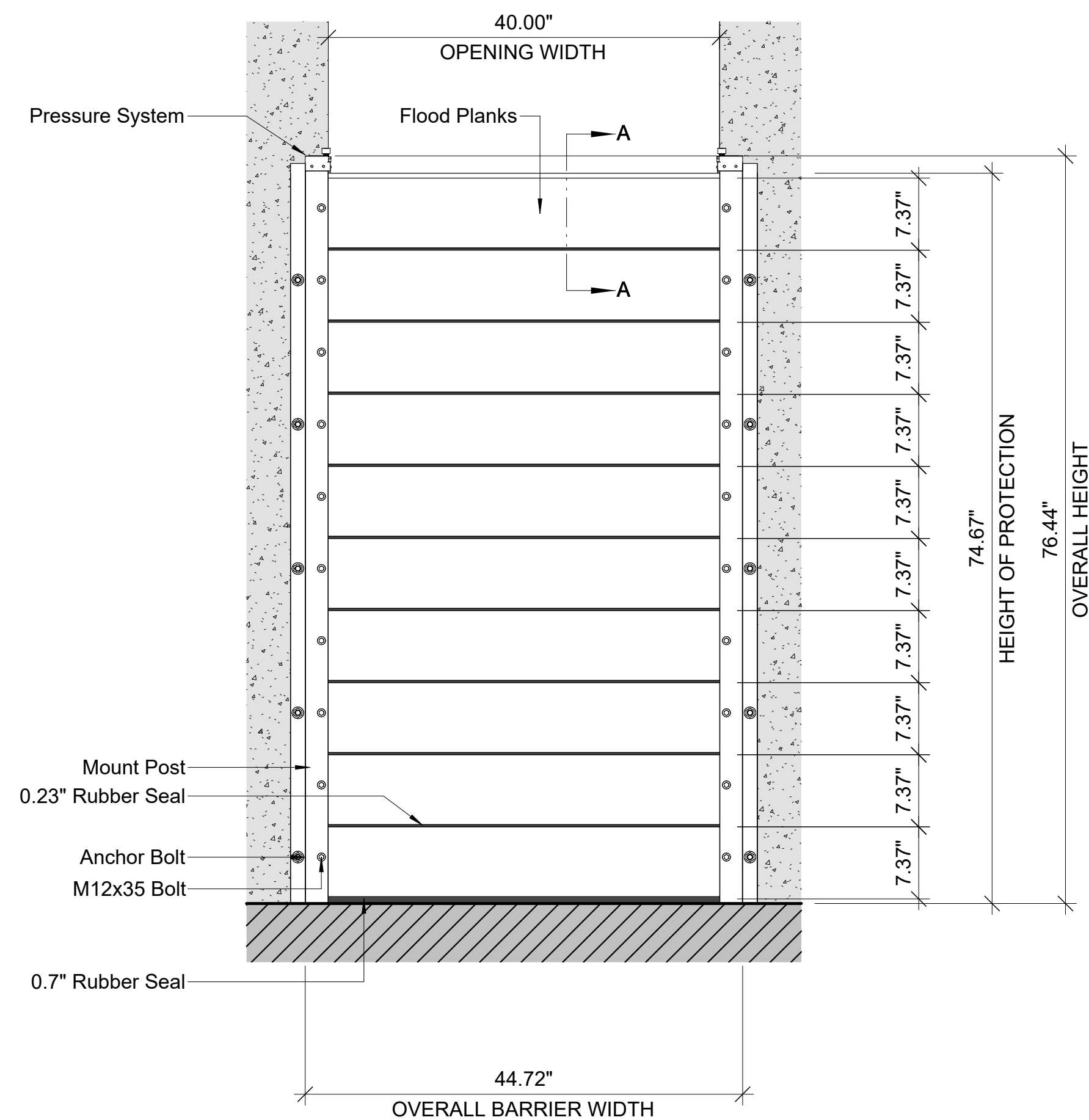


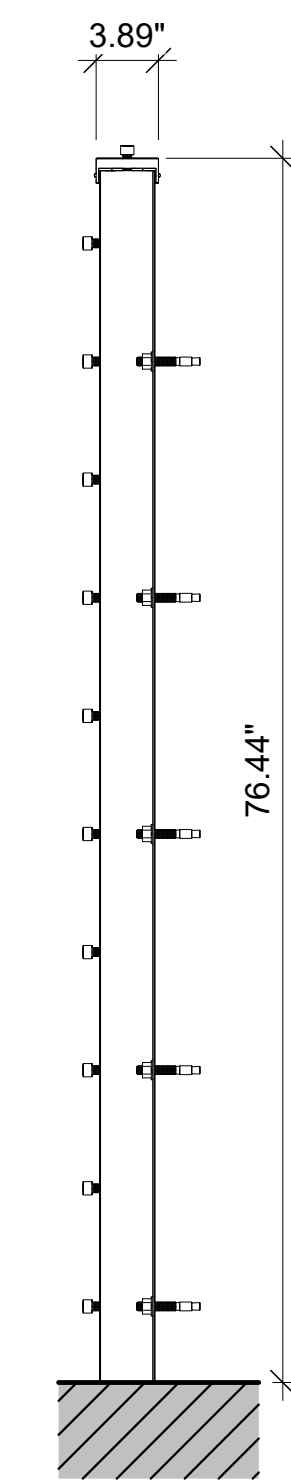
TOP VIEW
SCALE: 1" = 1'-0"



SECTION A-A
SCALE: 6" = 1'-0"



FRONT ELEVATION
SCALE: 1" = 1'-0"



SIDE ELEVATION
SCALE: 1" = 1'-0"

Firm name
ZIP FLOOD CONTROL

	NAME	SIGNATURE
DRAWN		
CHECKED		
APPROVED		
MFG		
Q.A.		

No.	Revision/Issue	Date

MATERIAL:

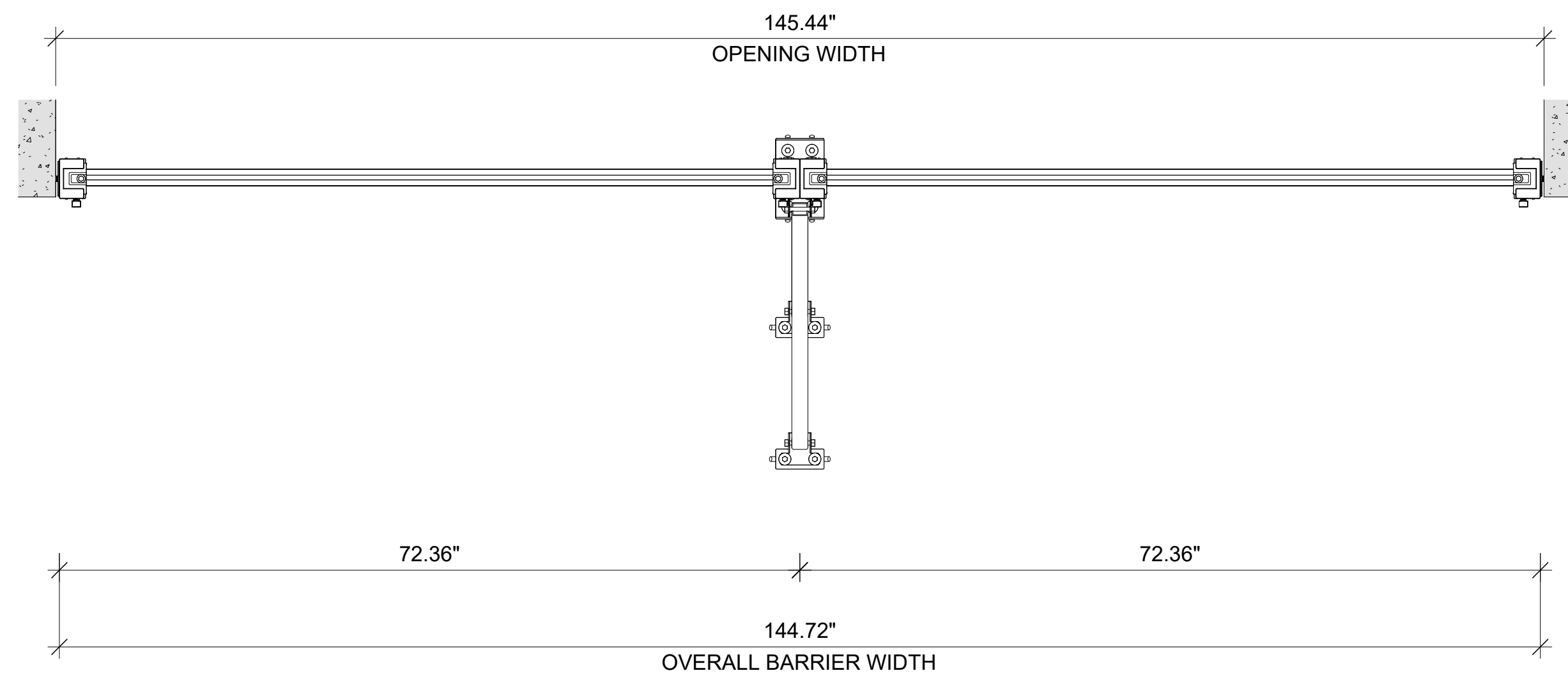
WEIGHT:

UNLESS OTHERWISE SPECIFIED:
• DIMENSIONS ARE IN INCHES
• PLANKS MAY BE UP TO 5" WIDER BUT MAY NOT BE NARROWER

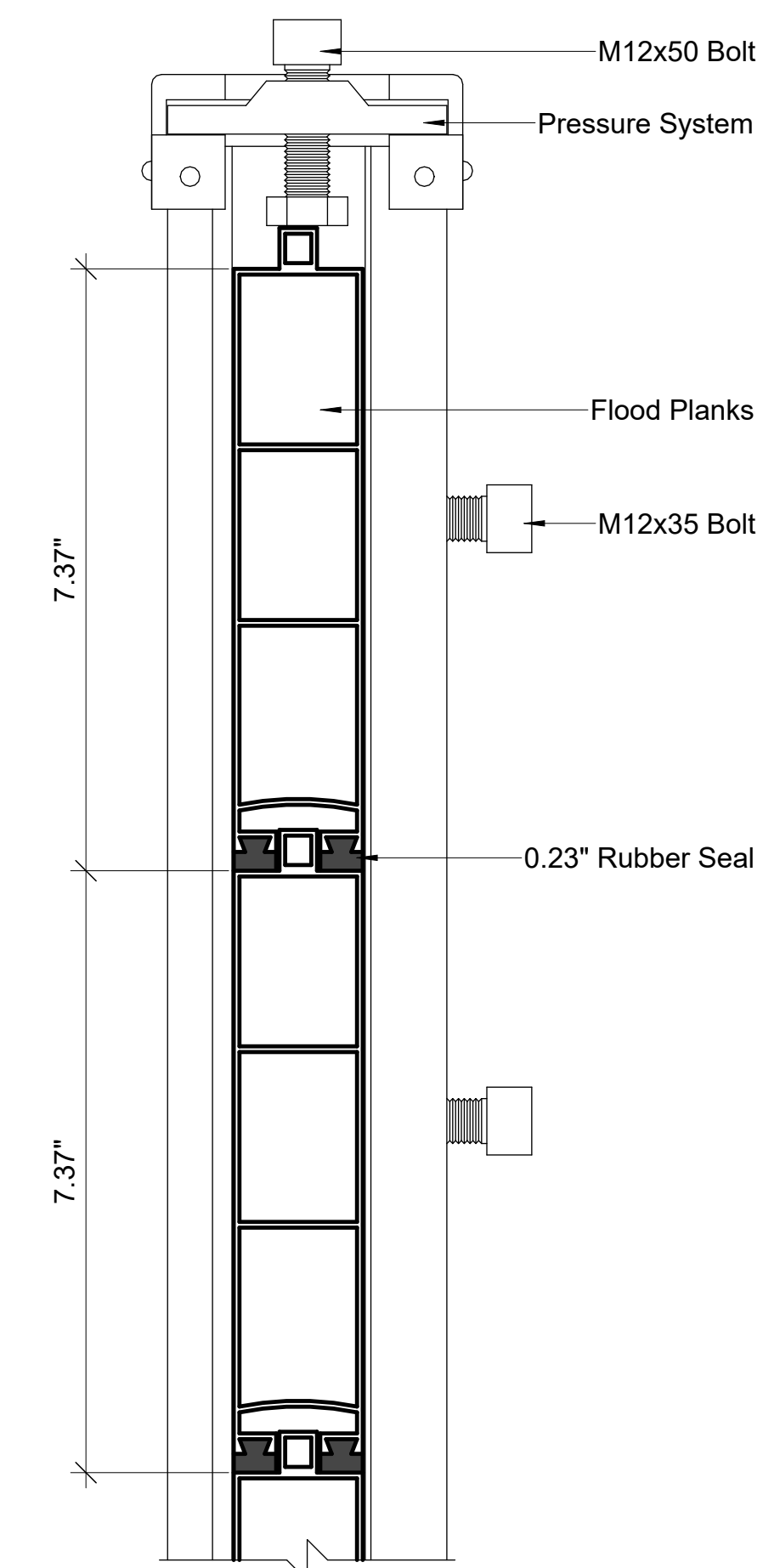
Drawing name
Opening #1 / 40" wide - Typical Opening

Project	1.0
Date	
Scale	

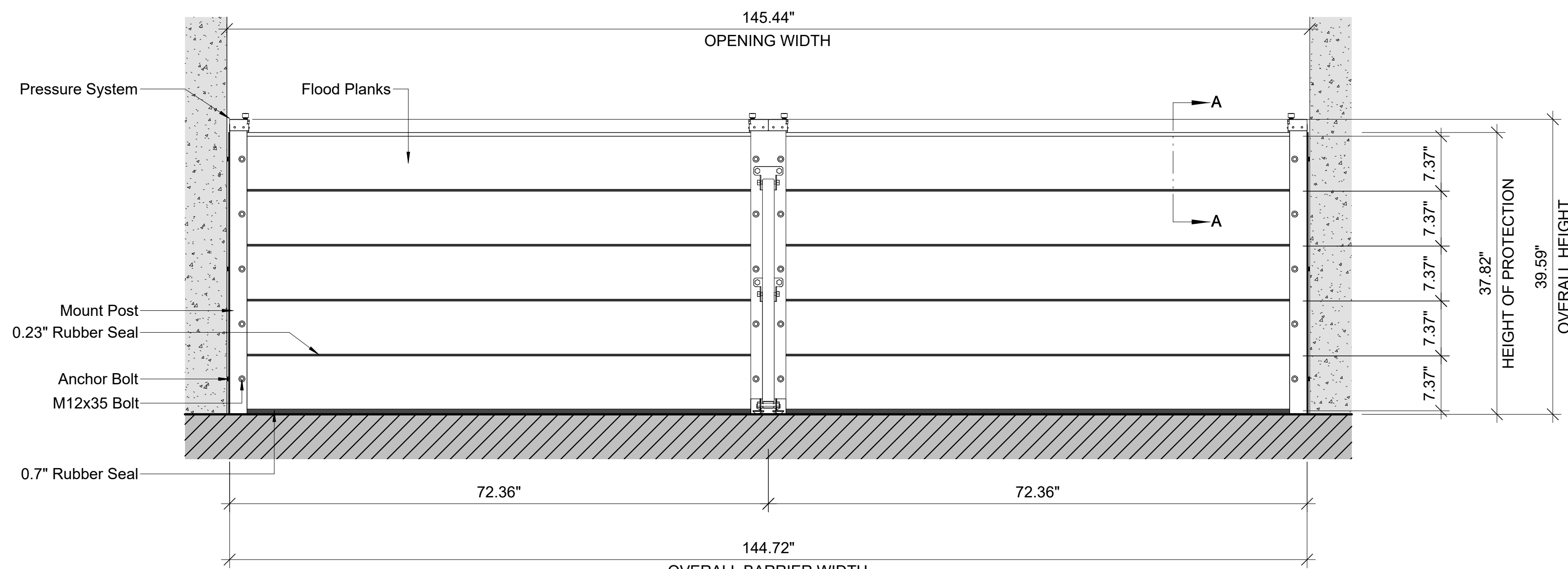
1/18/2025 6:33:08 AM
As indicated



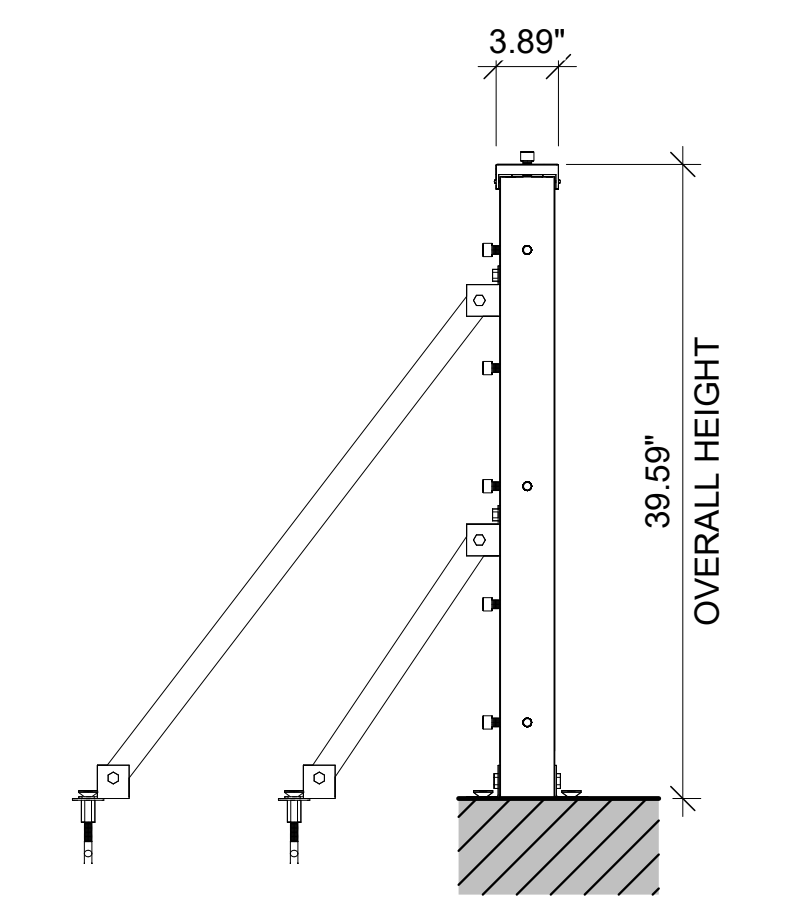
TOP VIEW
SCALE: 1" = 1'-0"



SECTION A-A
SCALE: 6" = 1'-0"



FRONT ELEVATION
SCALE: 1" = 1'-0"



SIDE ELEVATION
SCALE: 1" = 1'-0"

Firm name

	NAME	SIGNATURE
DRAWN		
CHECKED		
APPROVED		
MFG		
Q.A.		

No.	Revision/Issue	Date

MATERIAL:

WEIGHT:

UNLESS OTHERWISE SPECIFIED:
 • DIMENSIONS ARE IN INCHES
 • PLANKS MAY BE UP TO 5" WIDER BUT MAY NOT BE NARROWER

Drawing name
Opening #2 / 12 ft. wide - Typical Wide Opening

Project	2.0
Date	
Scale	

Firm name

ZIP FLOOD CONTROL

	NAME	SIGNATURE
DRAWN		
CHECKED		
APPROVED		
MFG		
Q.A.		

Blank area for drawing notes or specifications.

No.	Revision/Issue	Date

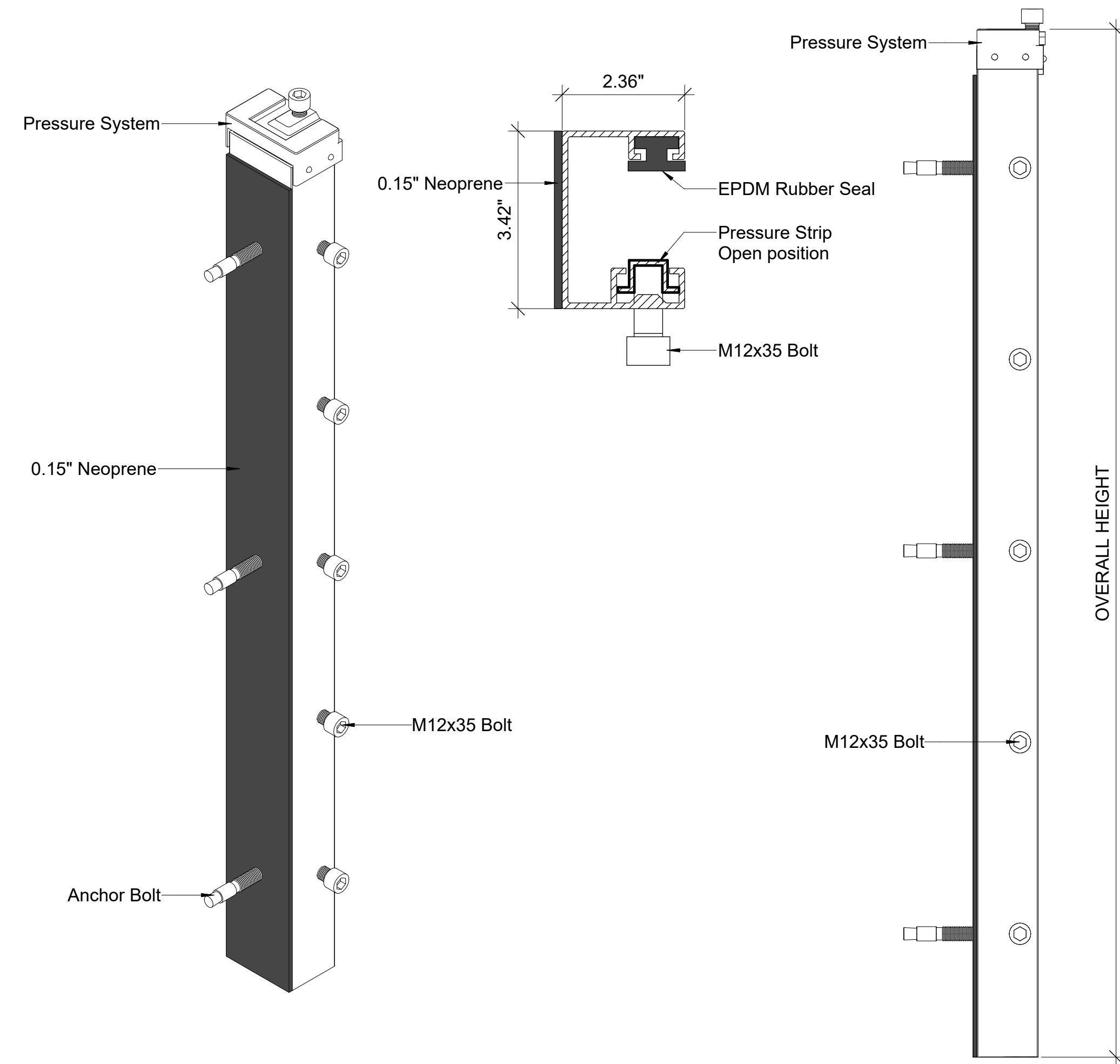
MATERIAL:

WEIGHT:

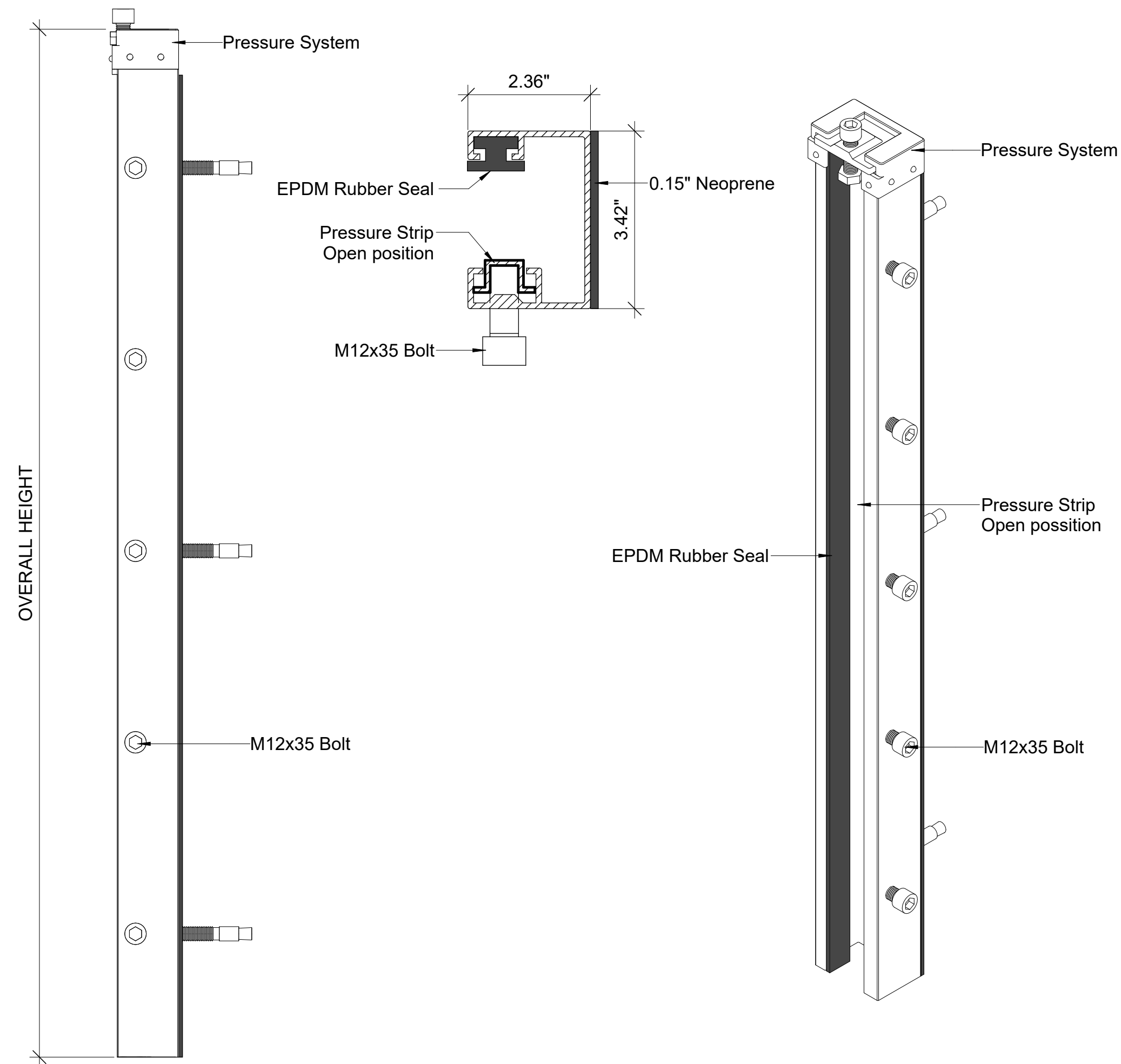
UNLESS OTHERWISE SPECIFIED:
 • DIMENSIONS ARE IN INCHES
 • PLANKS MAY BE UP TO 5" WIDER BUT MAY NOT BE NARROWER

Drawing name
Inside Mount Post Detail

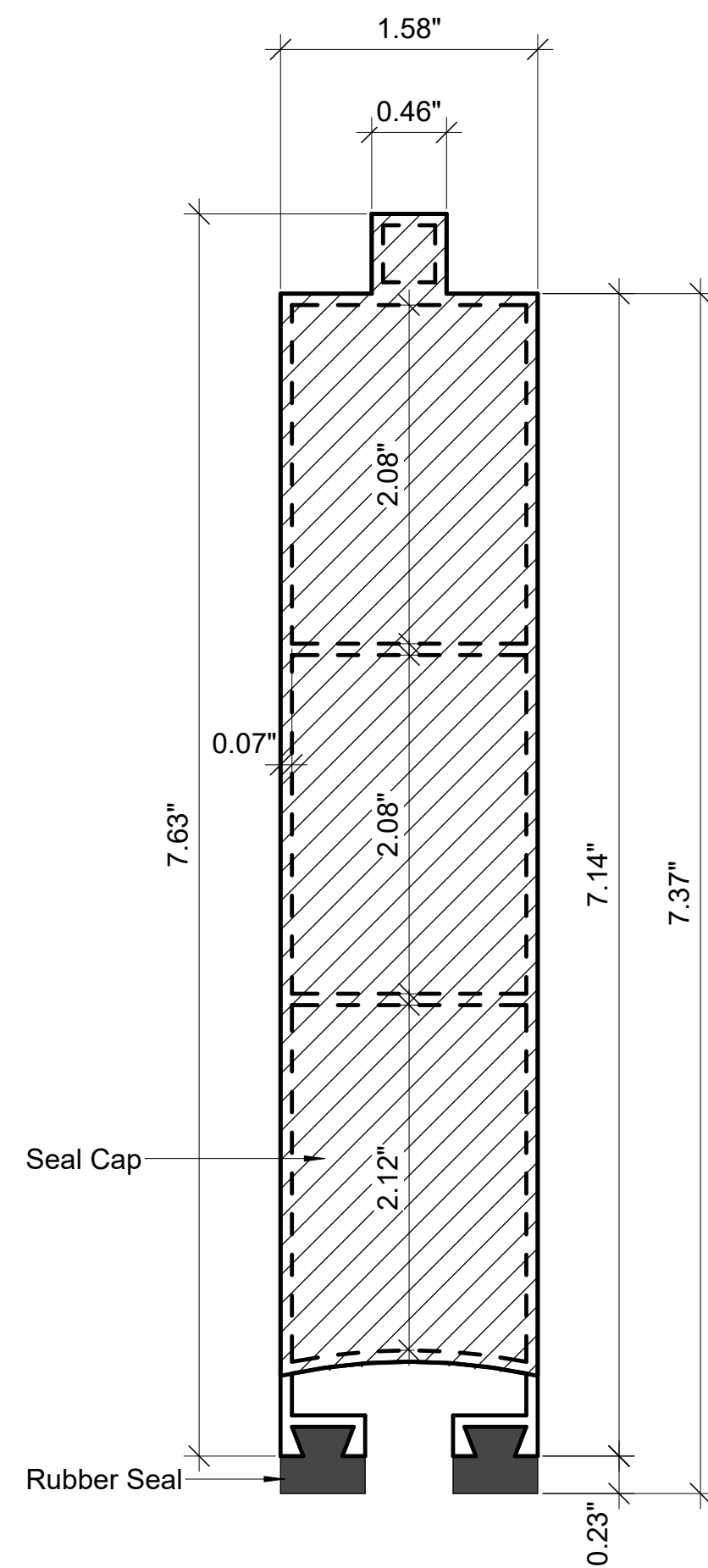
Project	D1
Date	
Scale As indicated	



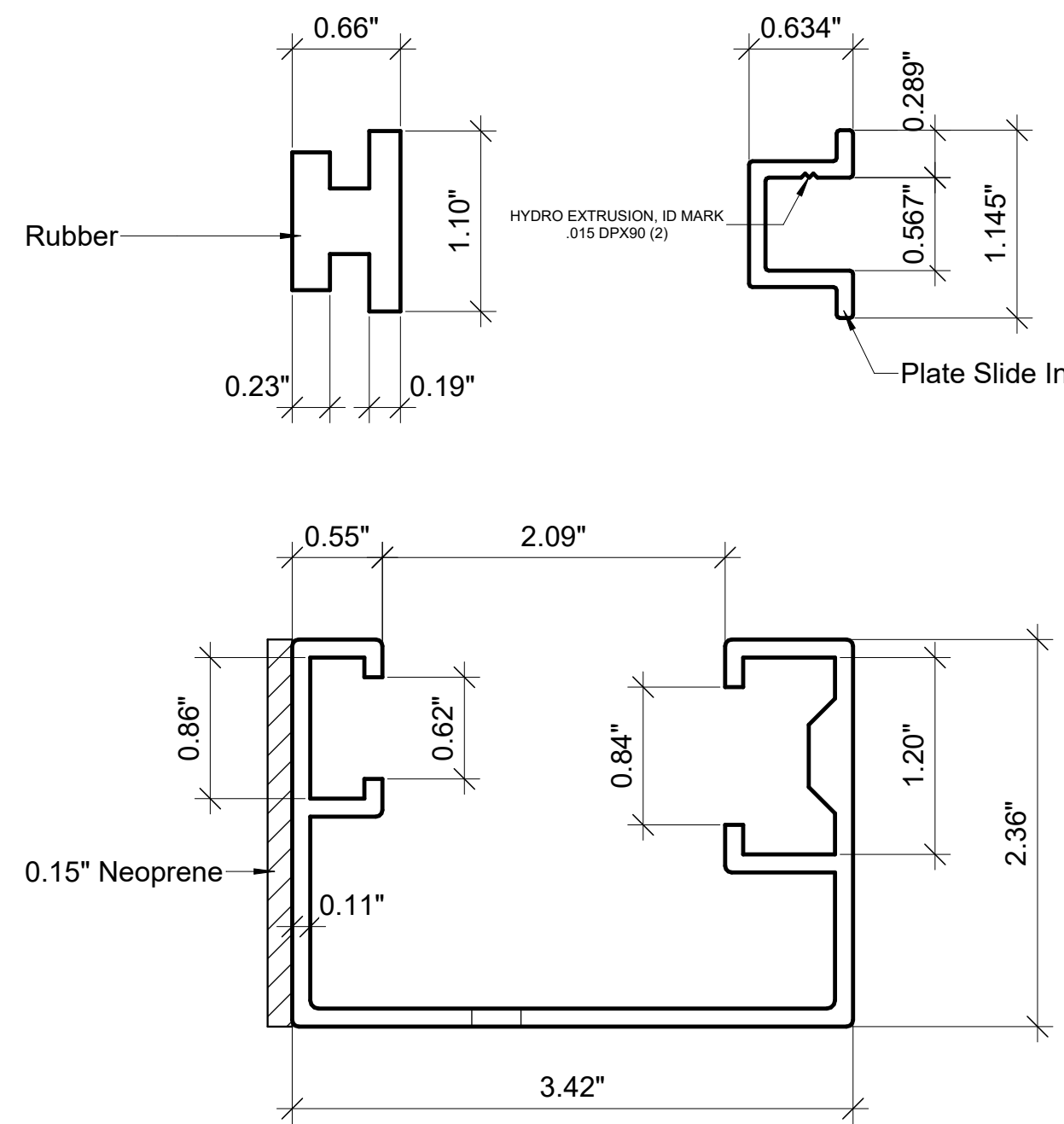
INSIDE MOUNT POST DETAIL LEFT



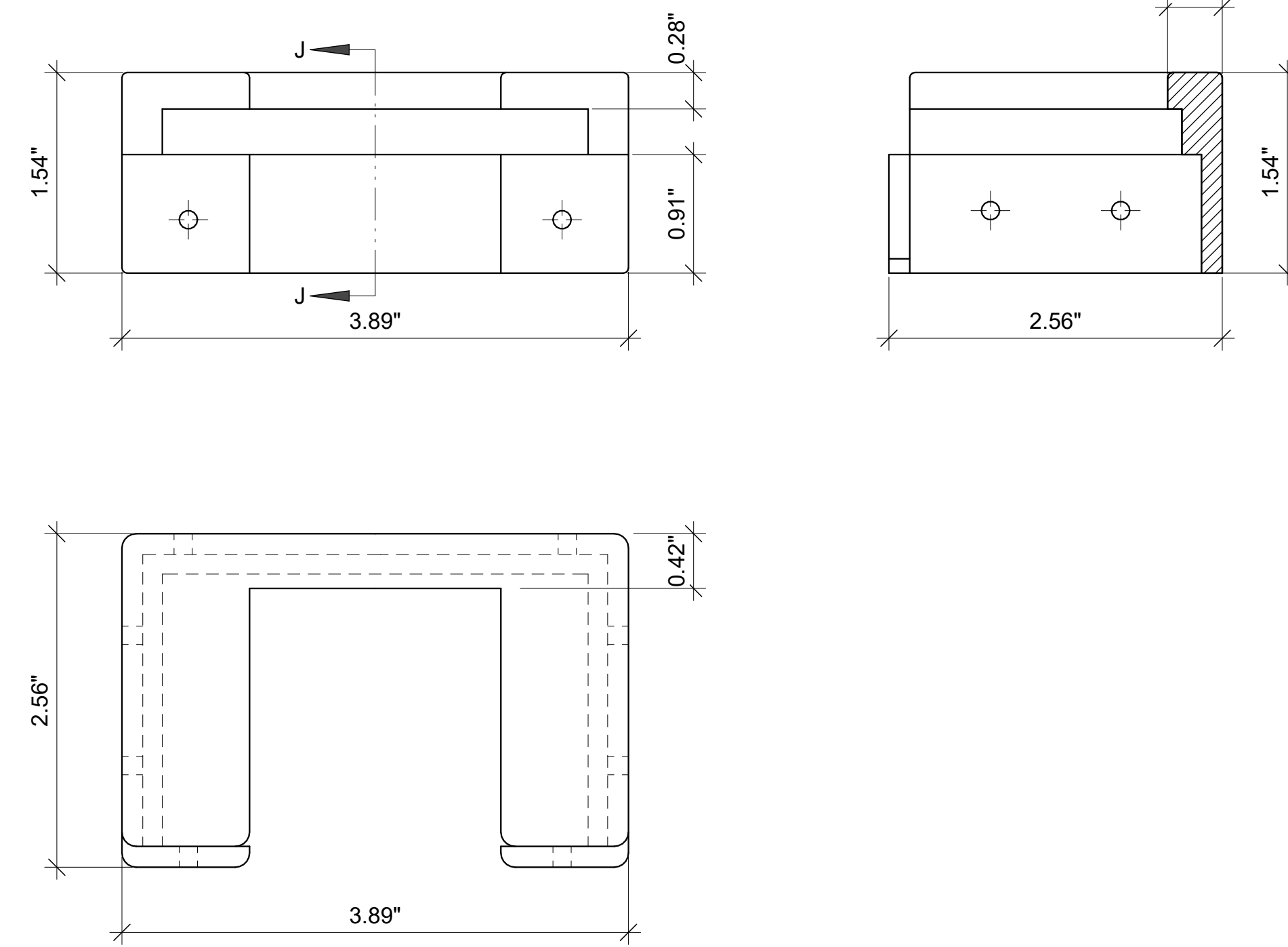
INSIDE MOUNT POST DETAIL RIGHT



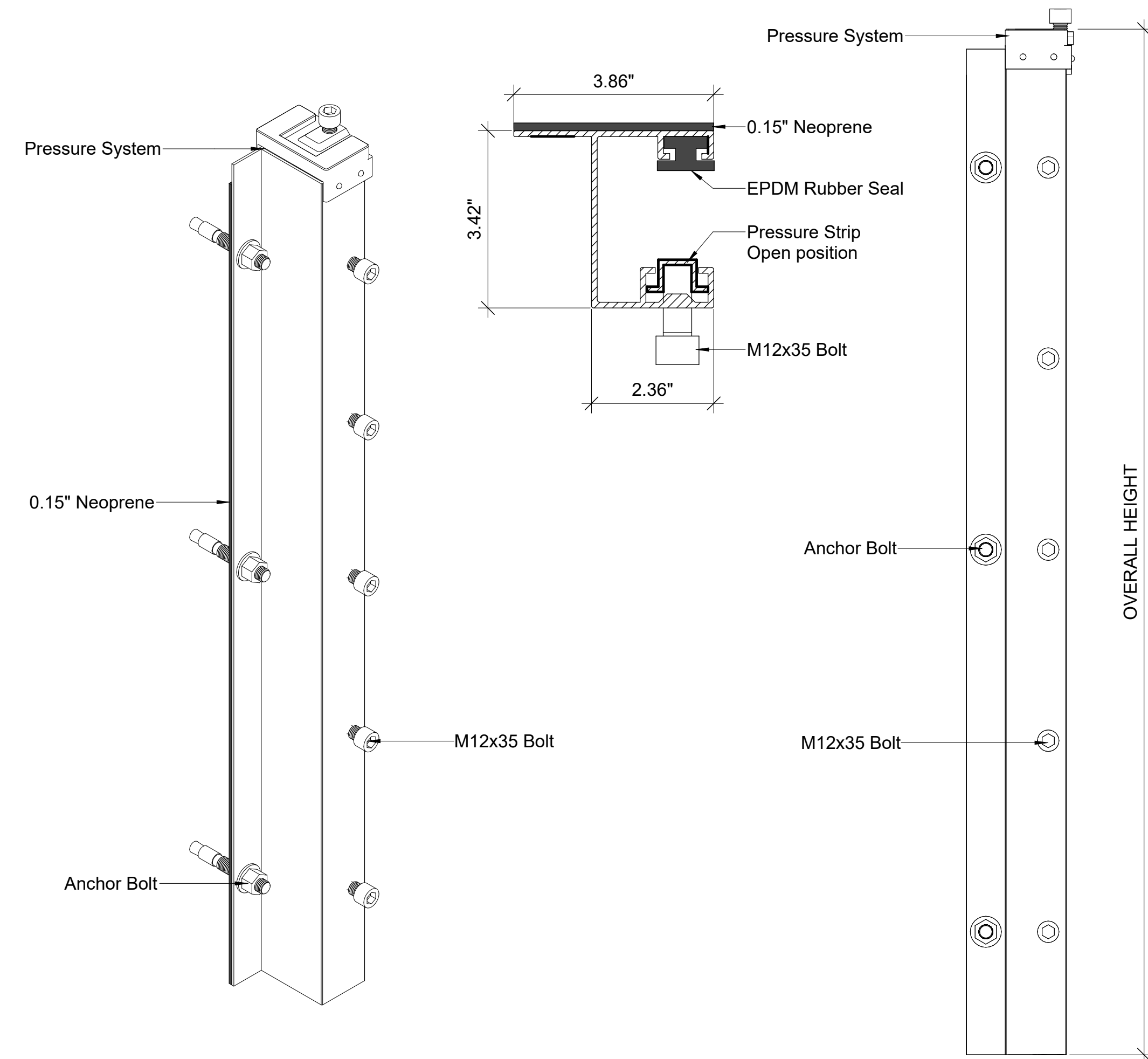
PLANK



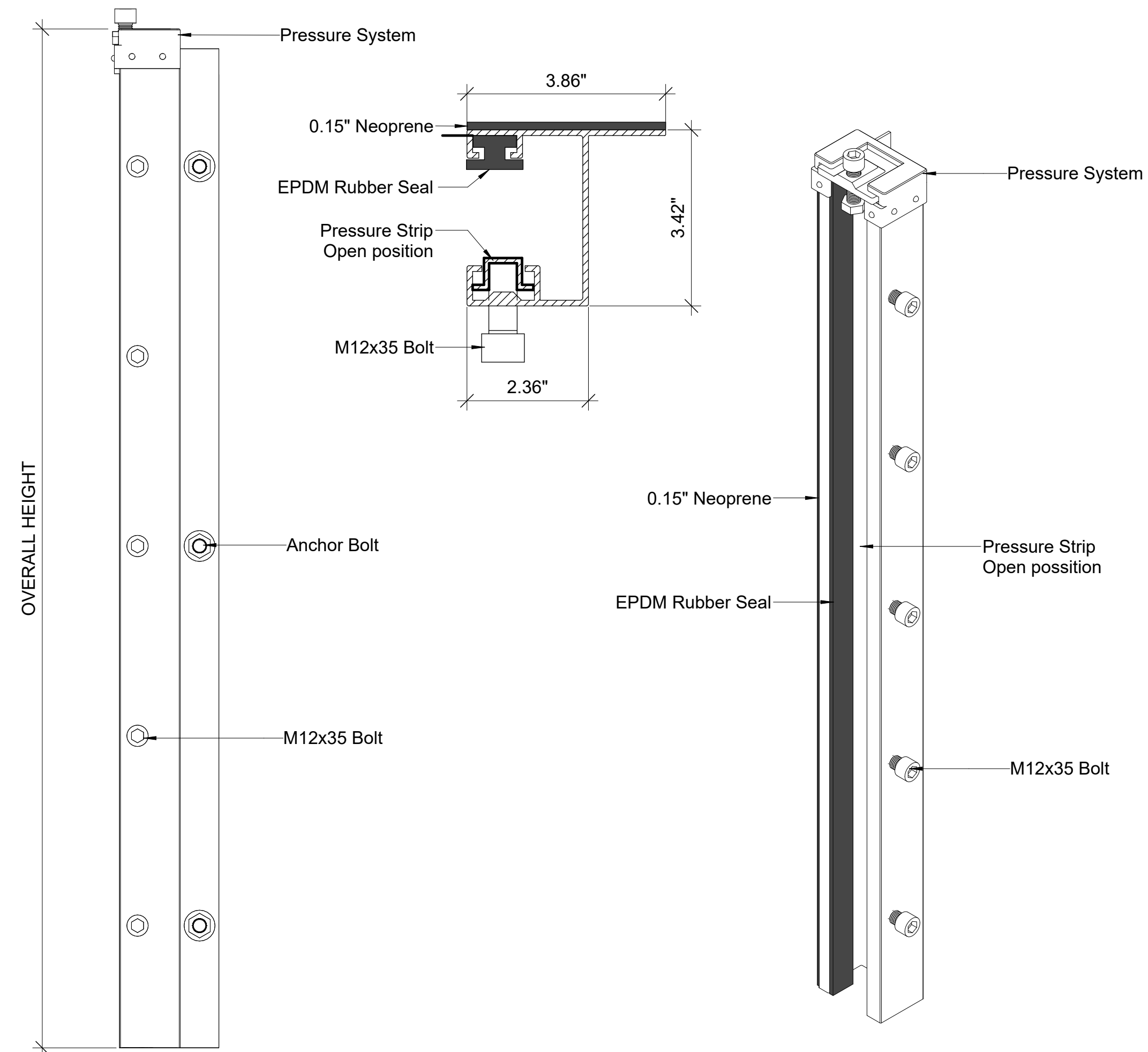
POST PROFILE



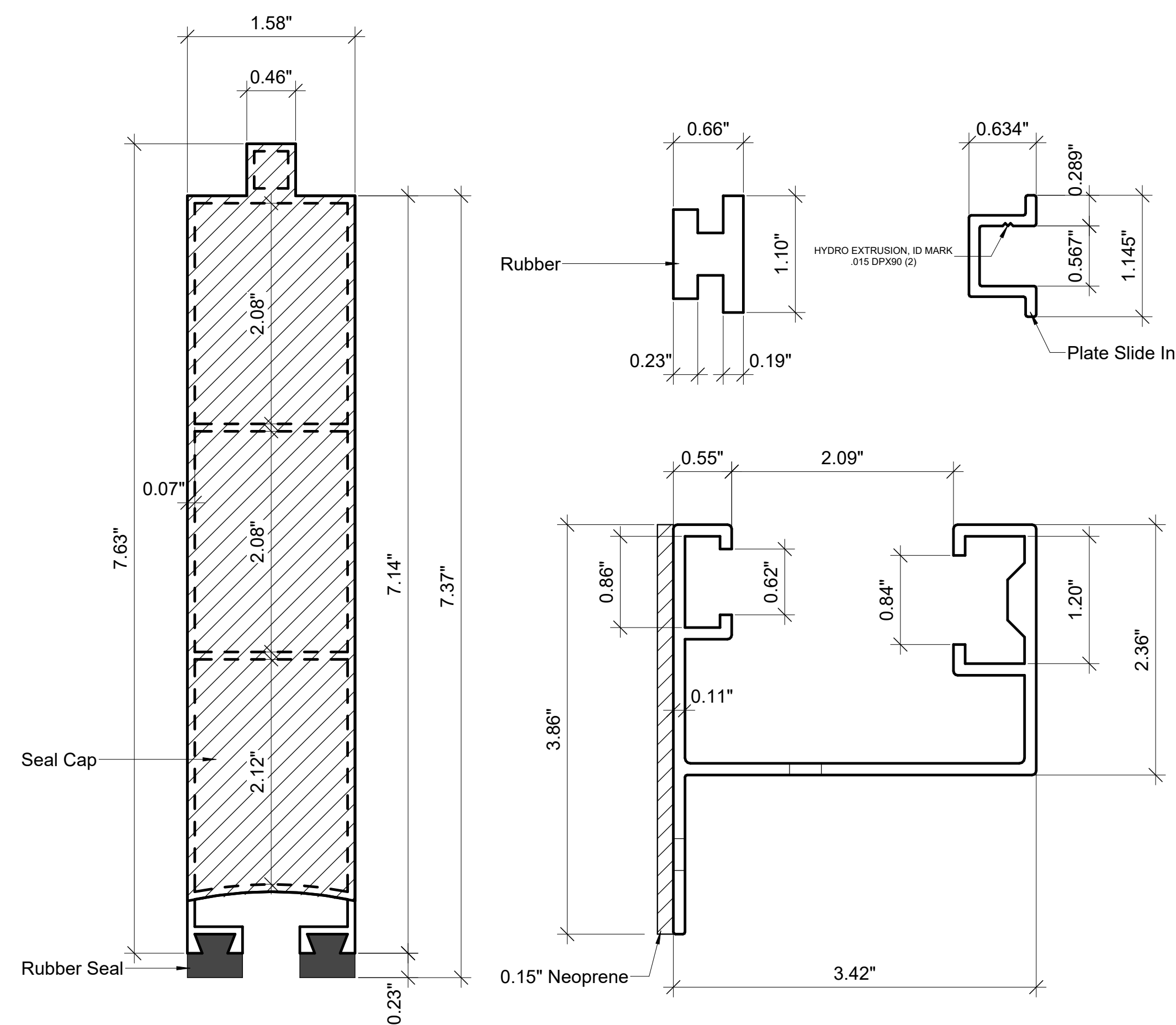
POST PROFILE CAP



OUTSIDE MOUNT POST DETAIL LEFT

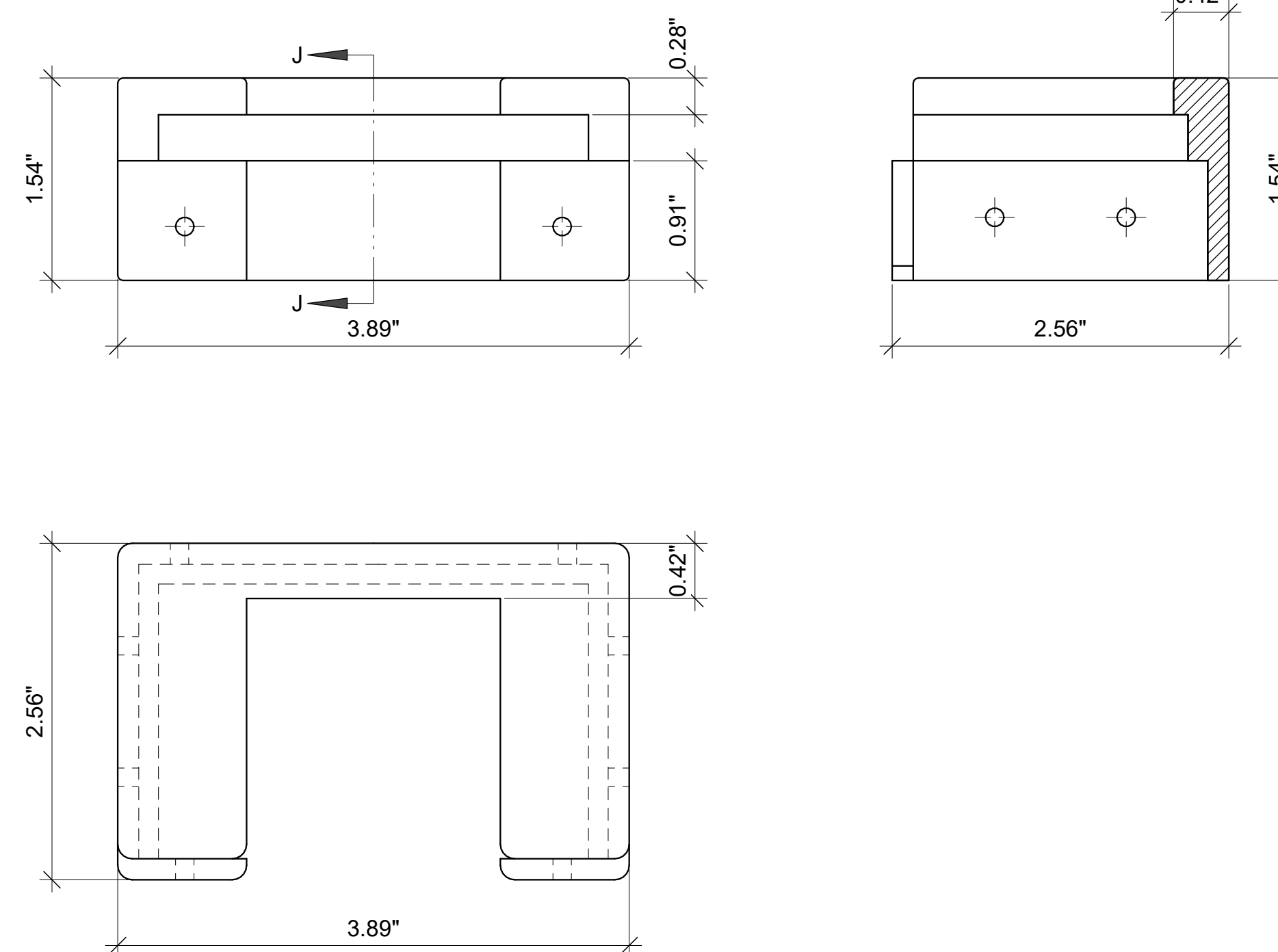


OUTSIDE MOUNT POST DETAIL RIGHT



PLANK

POST PROFILE



POST PROFILE CAP

Firm name

ZIP FLOOD CONTROL

	NAME	SIGNATURE
DRAWN		
CHECKED		
APPROVED		
MFG		
Q.A.		

No.	Revision/Issue	Date

MATERIAL:

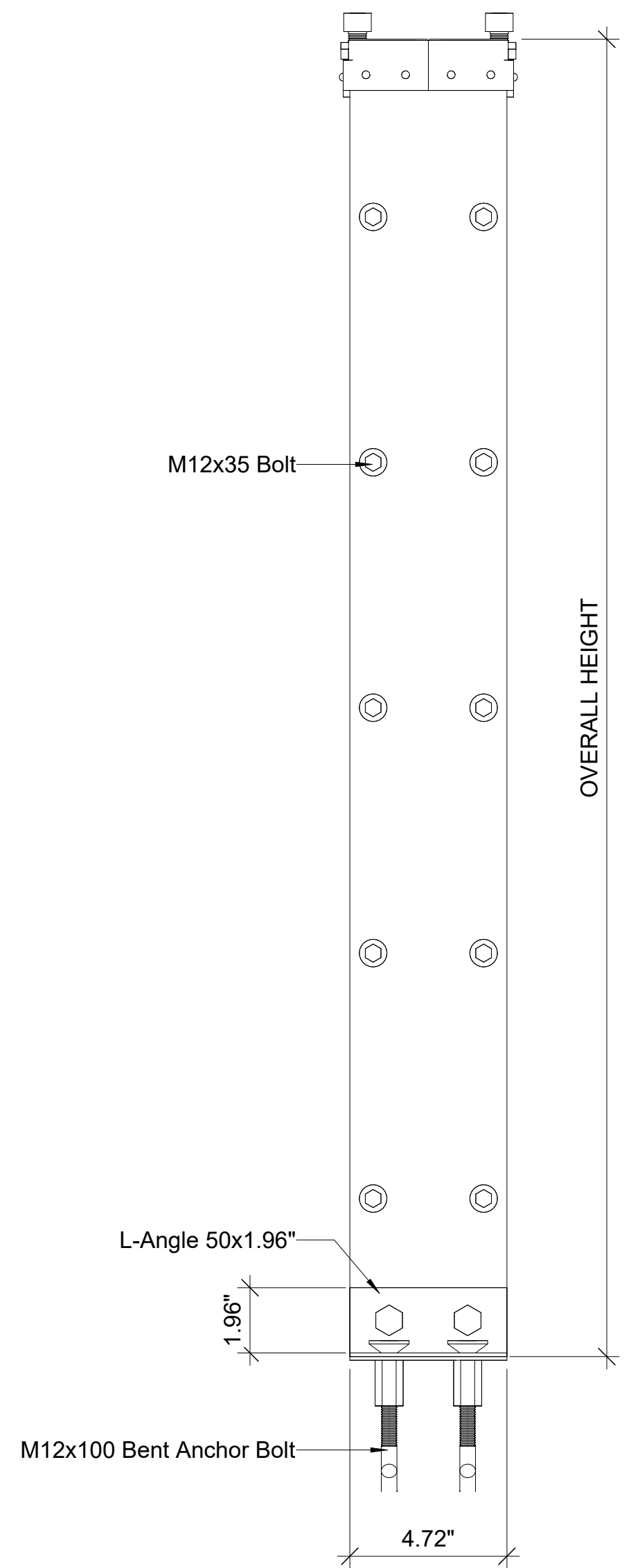
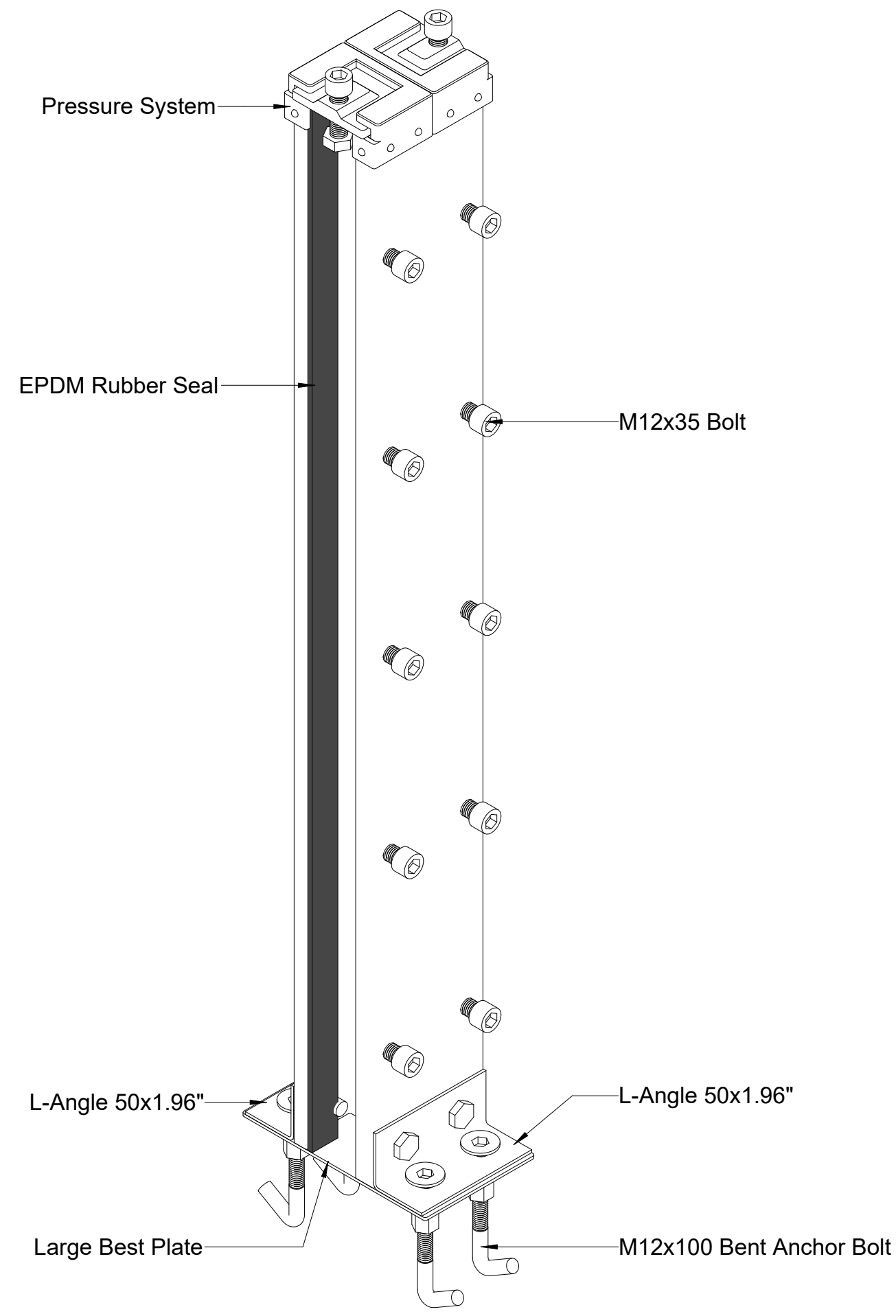
WEIGHT:

UNLESS OTHERWISE SPECIFIED:
 • DIMENSIONS ARE IN INCHES
 • PLANKS MAY BE UP TO 5" WIDER BUT MAY NOT BE NARROWER

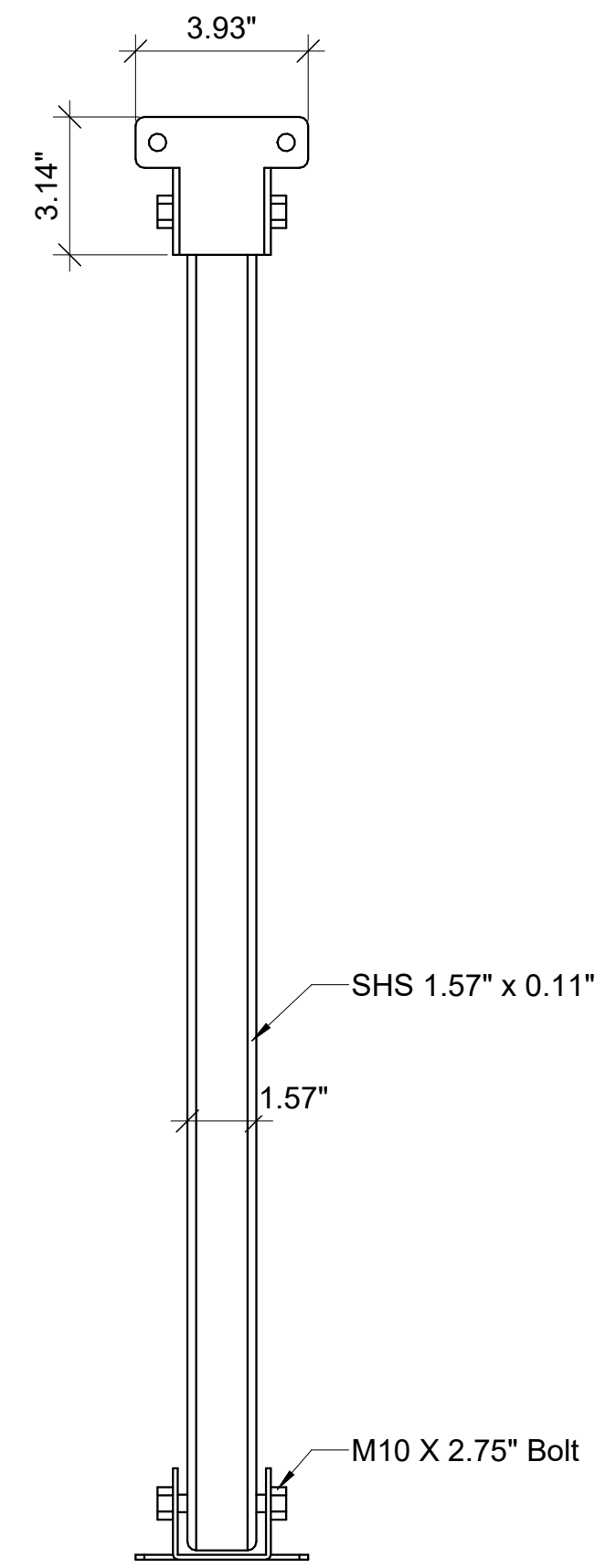
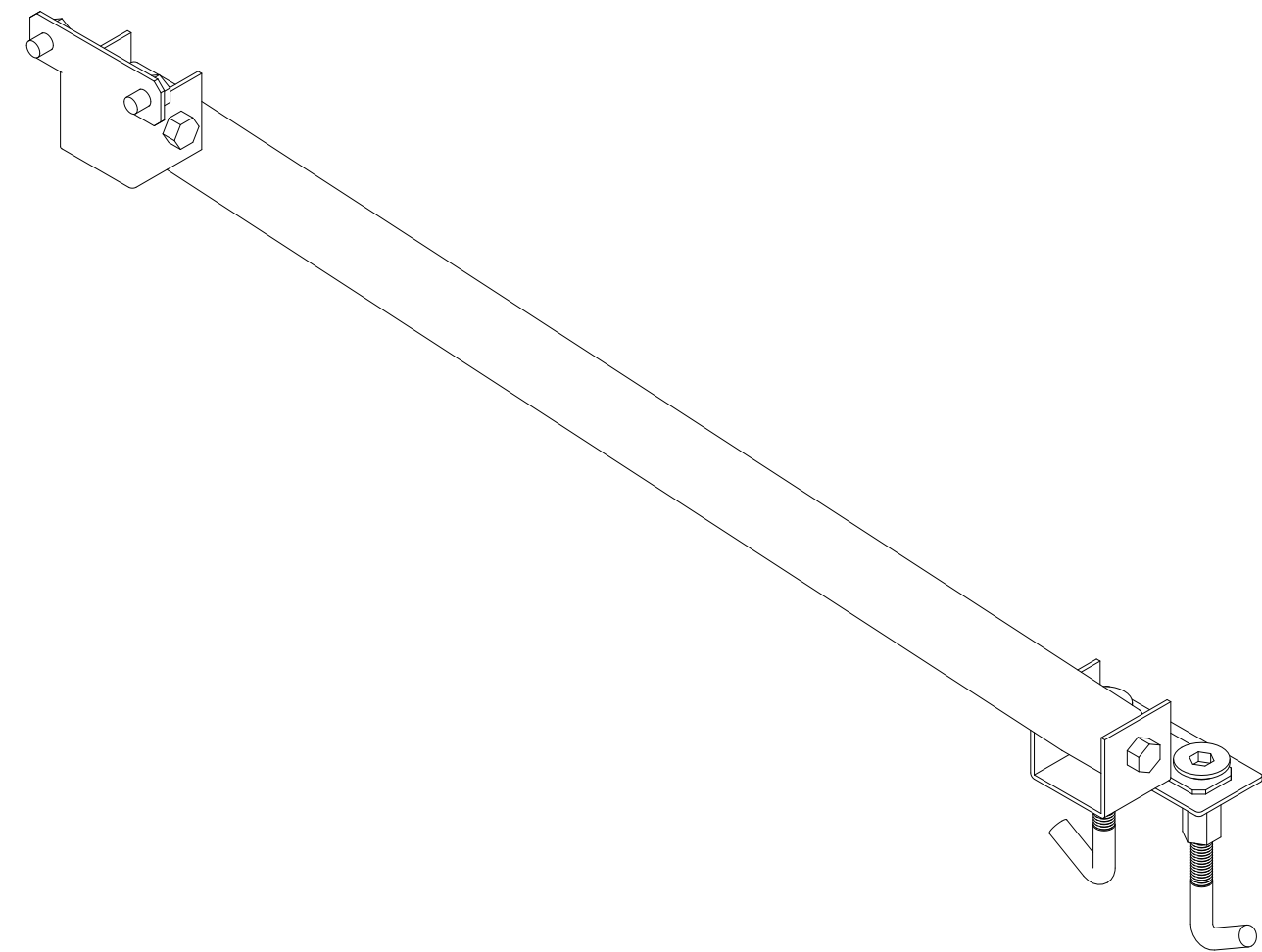
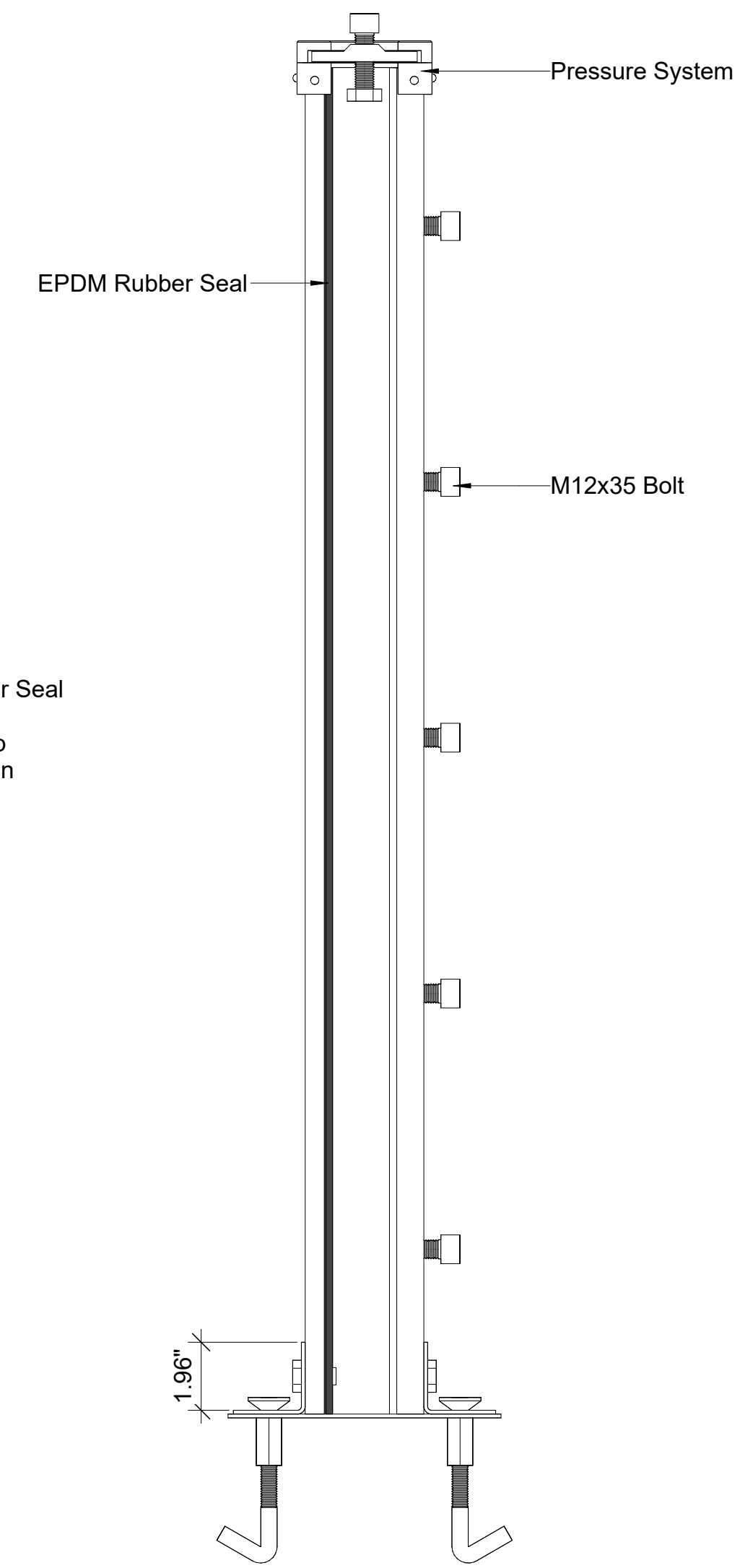
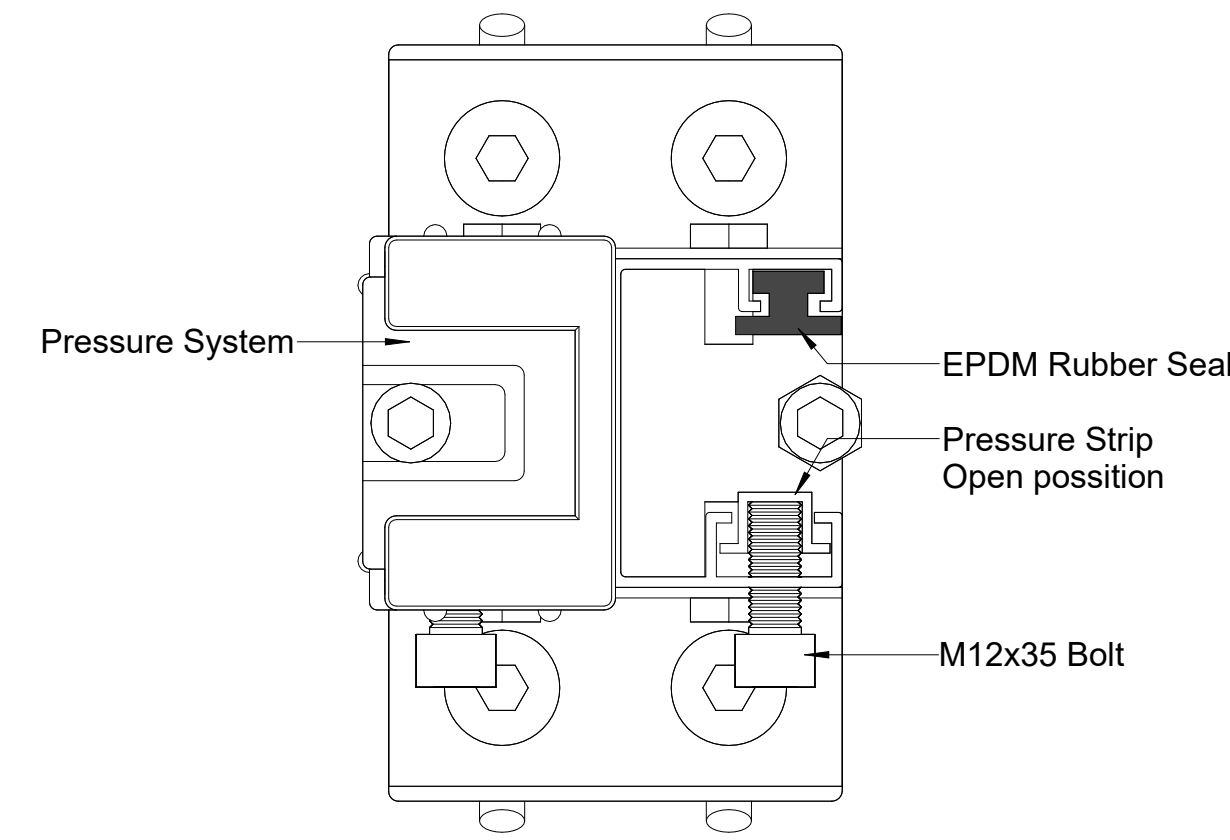
Drawing name

Outside Mount Post Detail

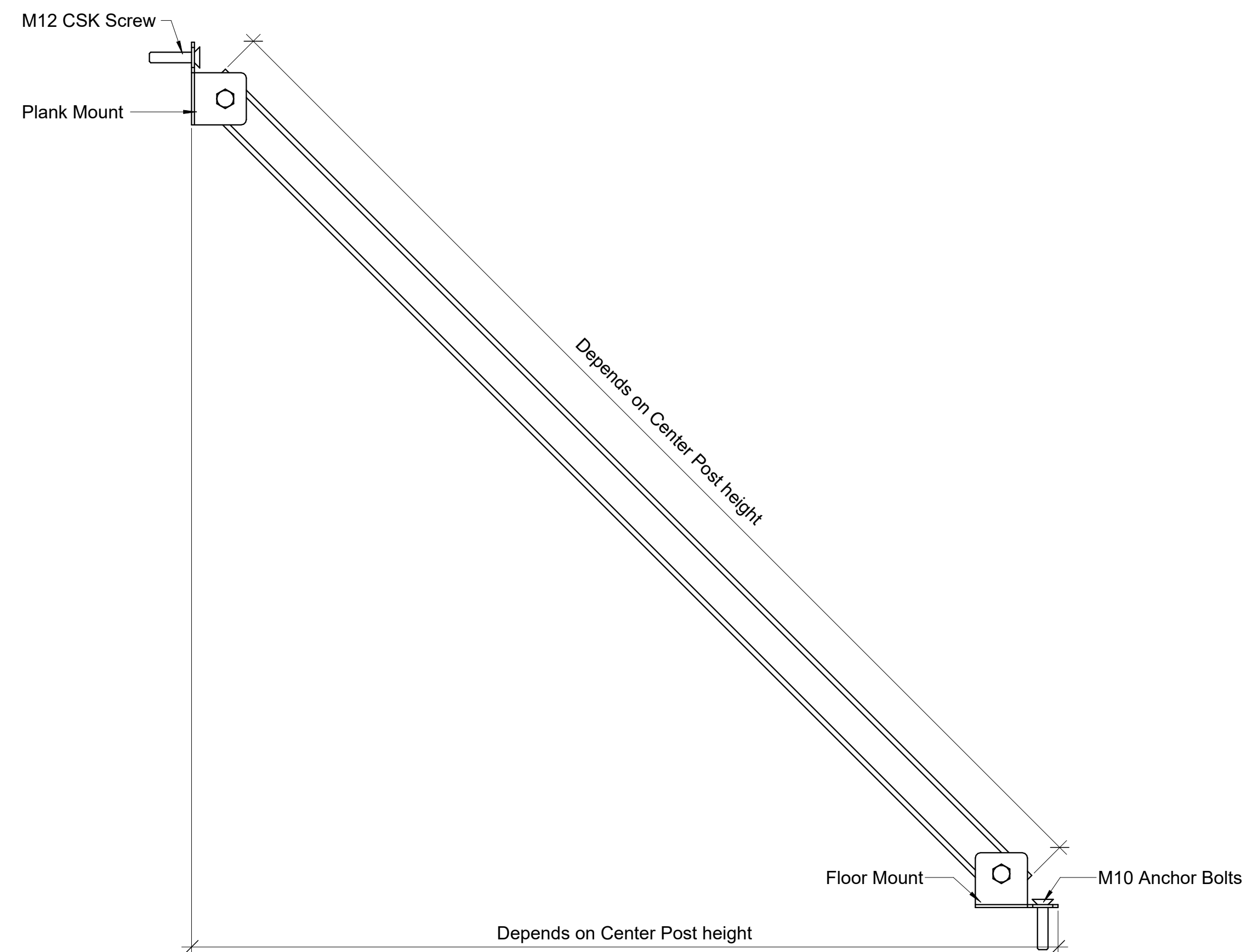
Project	D2
Date	
Scale As indicated	



CENTER POST DETAIL



CENTER POST LEG SUPPORT



Firm name
ZIP FLOOD CONTROL

	NAME	SIGNATURE
DRAWN		
CHECKED		
APPROVED		
MFG		
Q.A.		

No.	Revision/Issue	Date

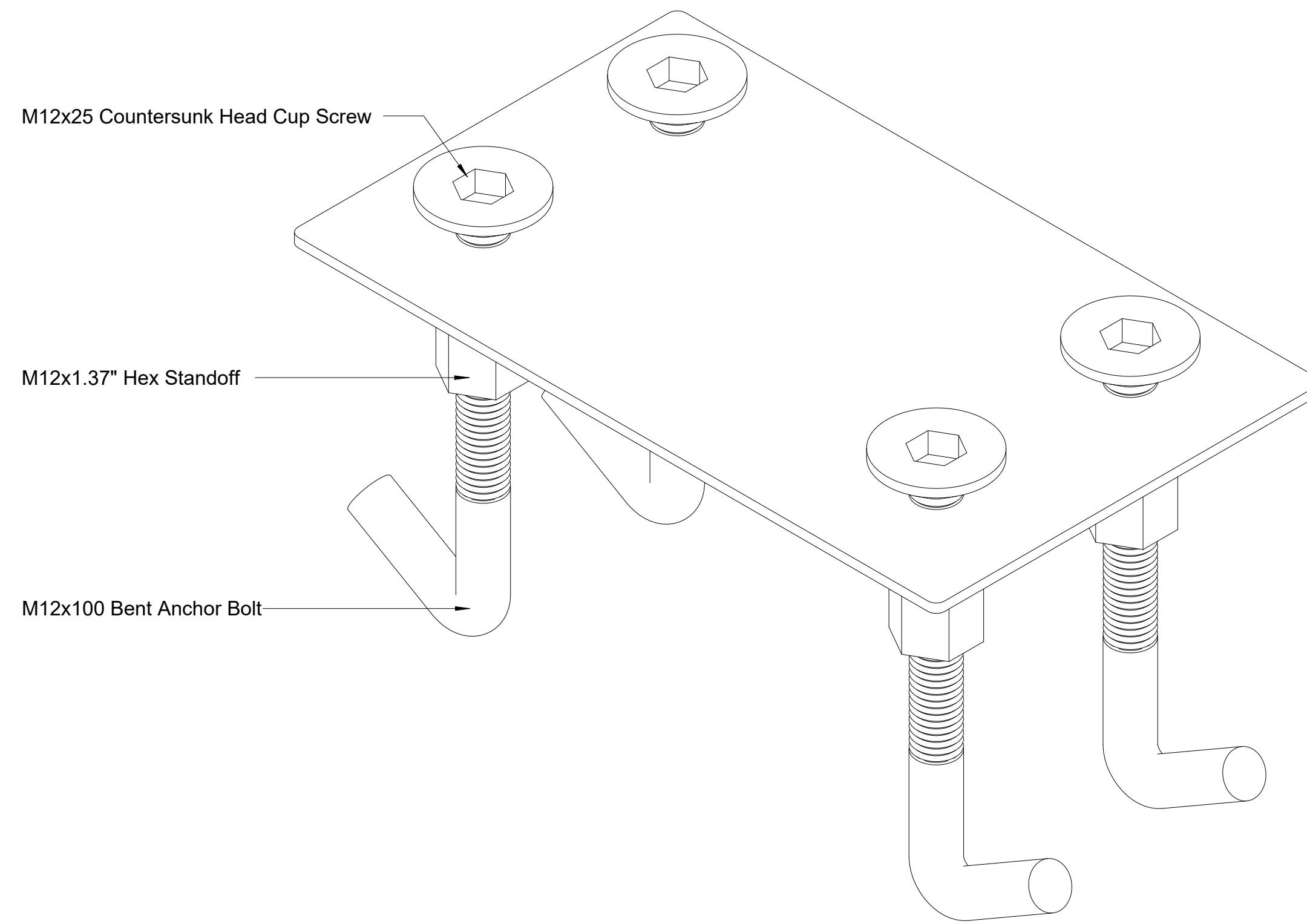
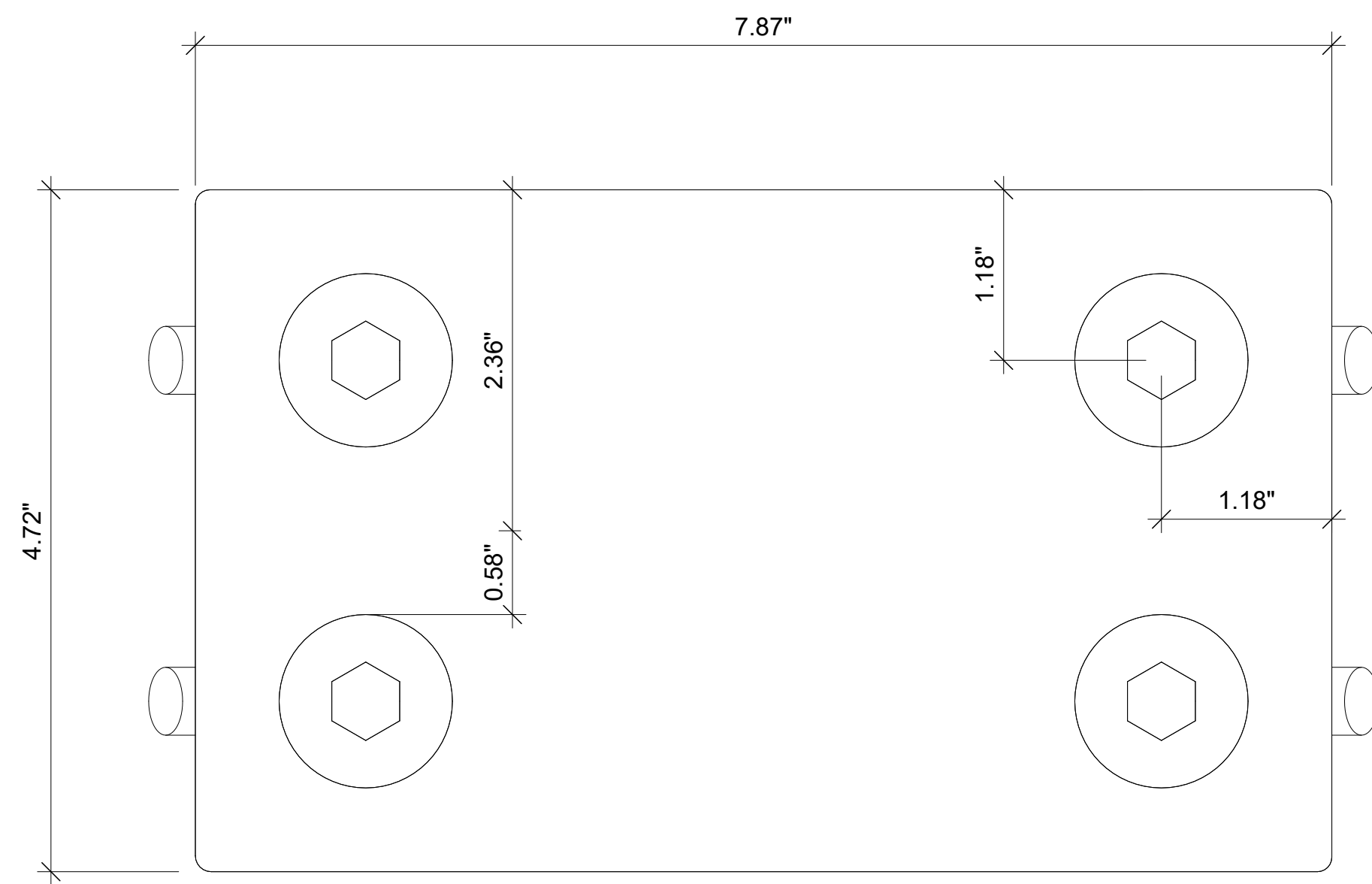
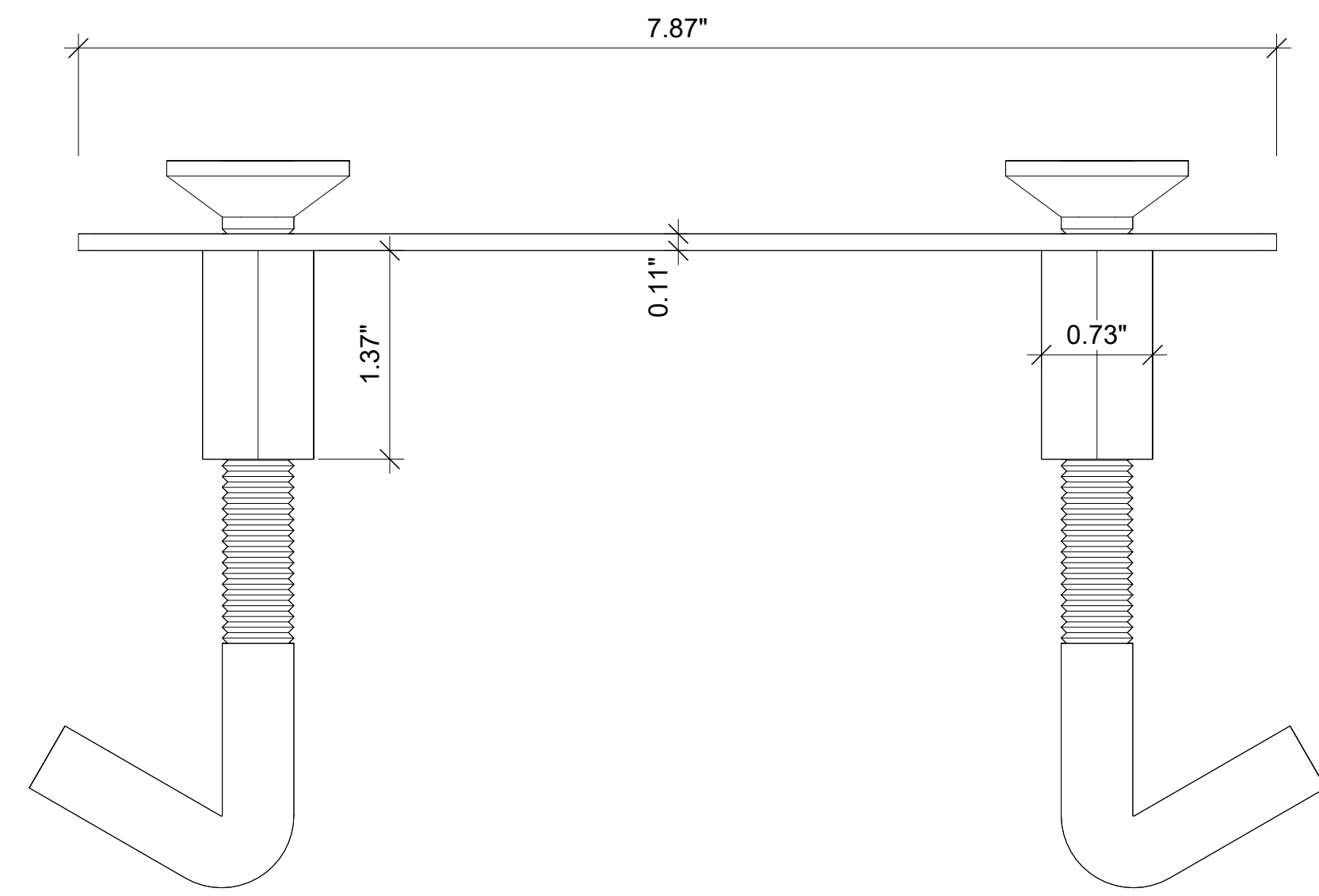
MATERIAL:

WEIGHT:

UNLESS OTHERWISE SPECIFIED:
 • DIMENSIONS ARE IN INCHES
 • PLANKS MAY BE UP TO 5" WIDER BUT MAY NOT BE NARROWER

Drawing name
Center Post Detail, Center Post Leg Support

Project	D3
Date	
Scale As indicated	



Firm name

ZIP FLOOD CONTROL

	NAME	SIGNATURE
DRAWN		
CHECKED		
APPROVED		
MFG		
Q.A.		

No.	Revision/Issue	Date

MATERIAL:

WEIGHT:

UNLESS OTHERWISE SPECIFIED:
 • DIMENSIONS ARE IN INCHES
 • PLANKS MAY BE UP TO 5" WIDER BUT MAY NOT BE NARROWER

Drawing name

Large Base Plate

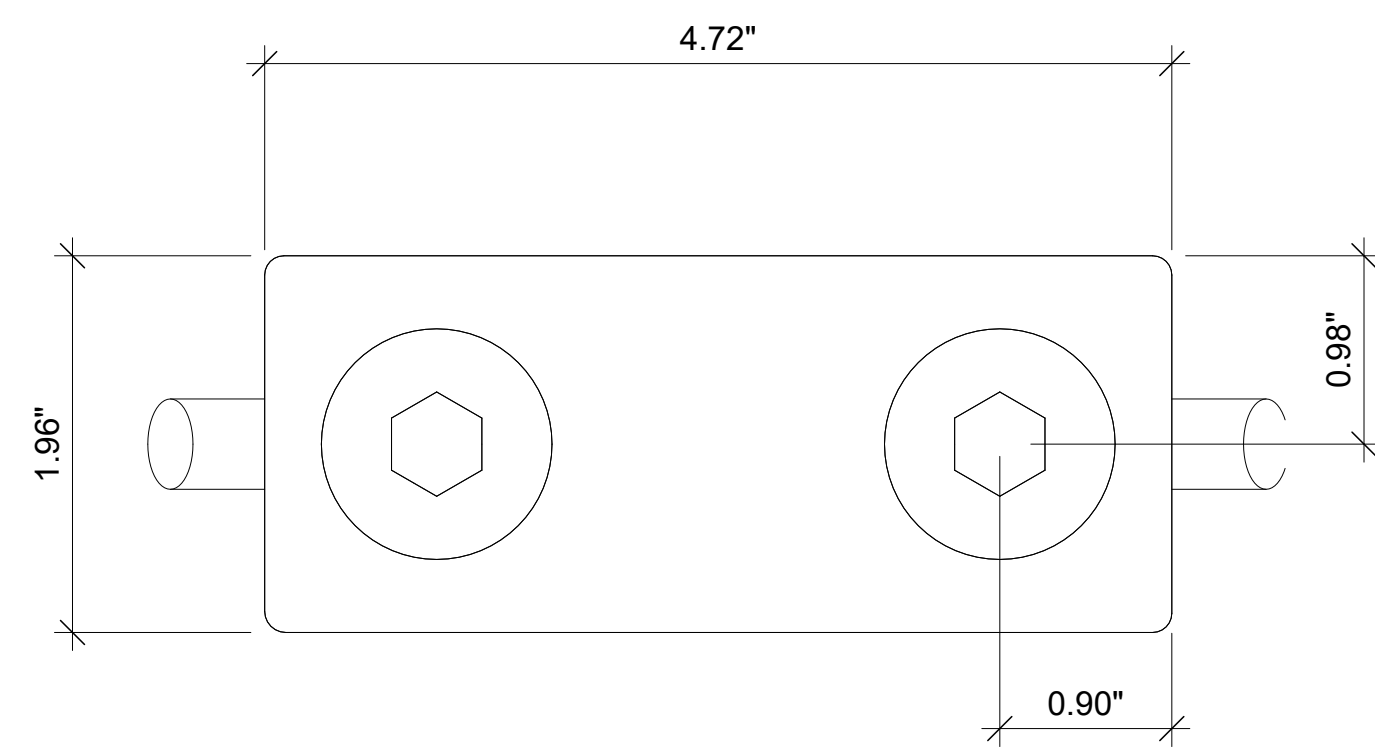
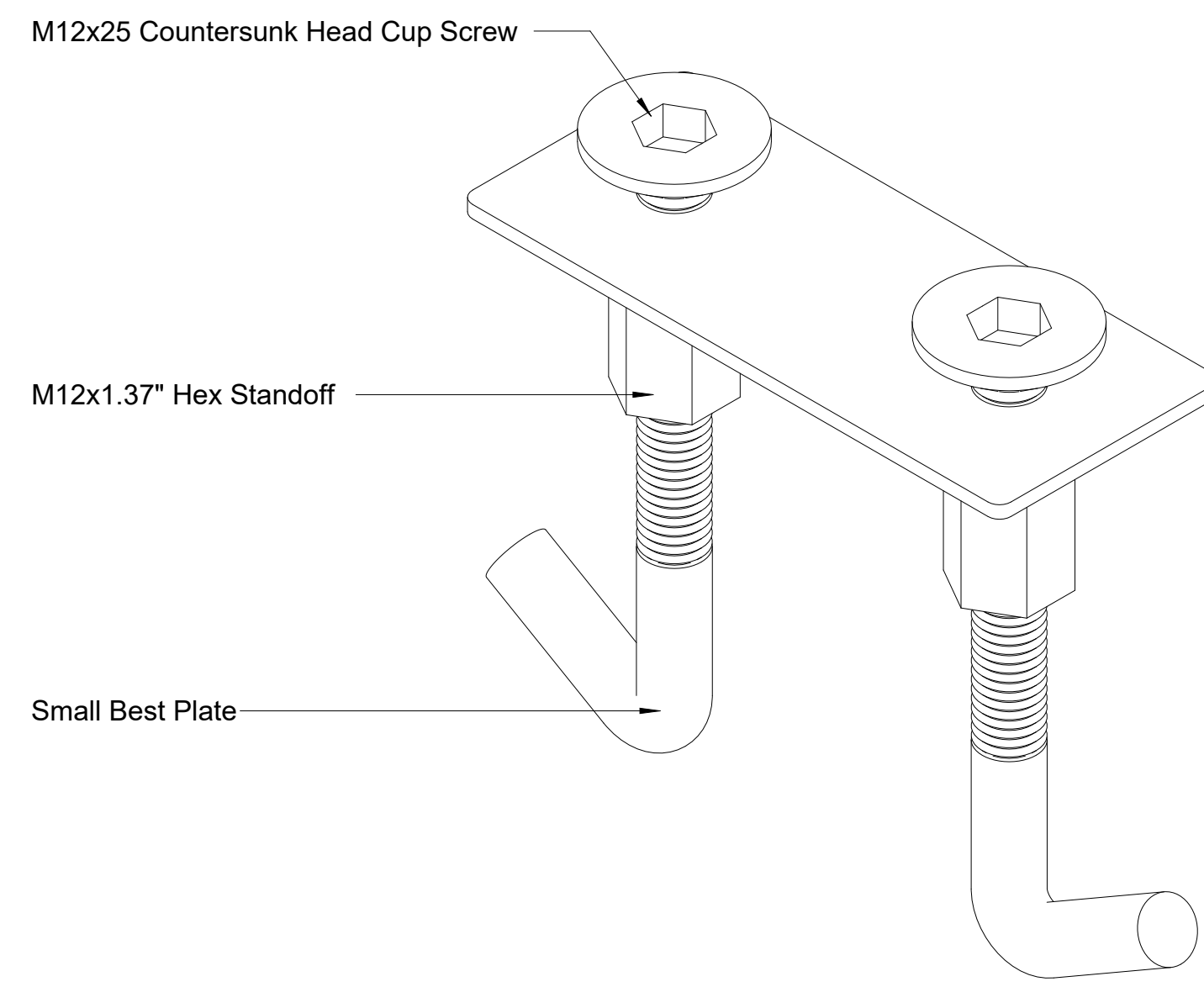
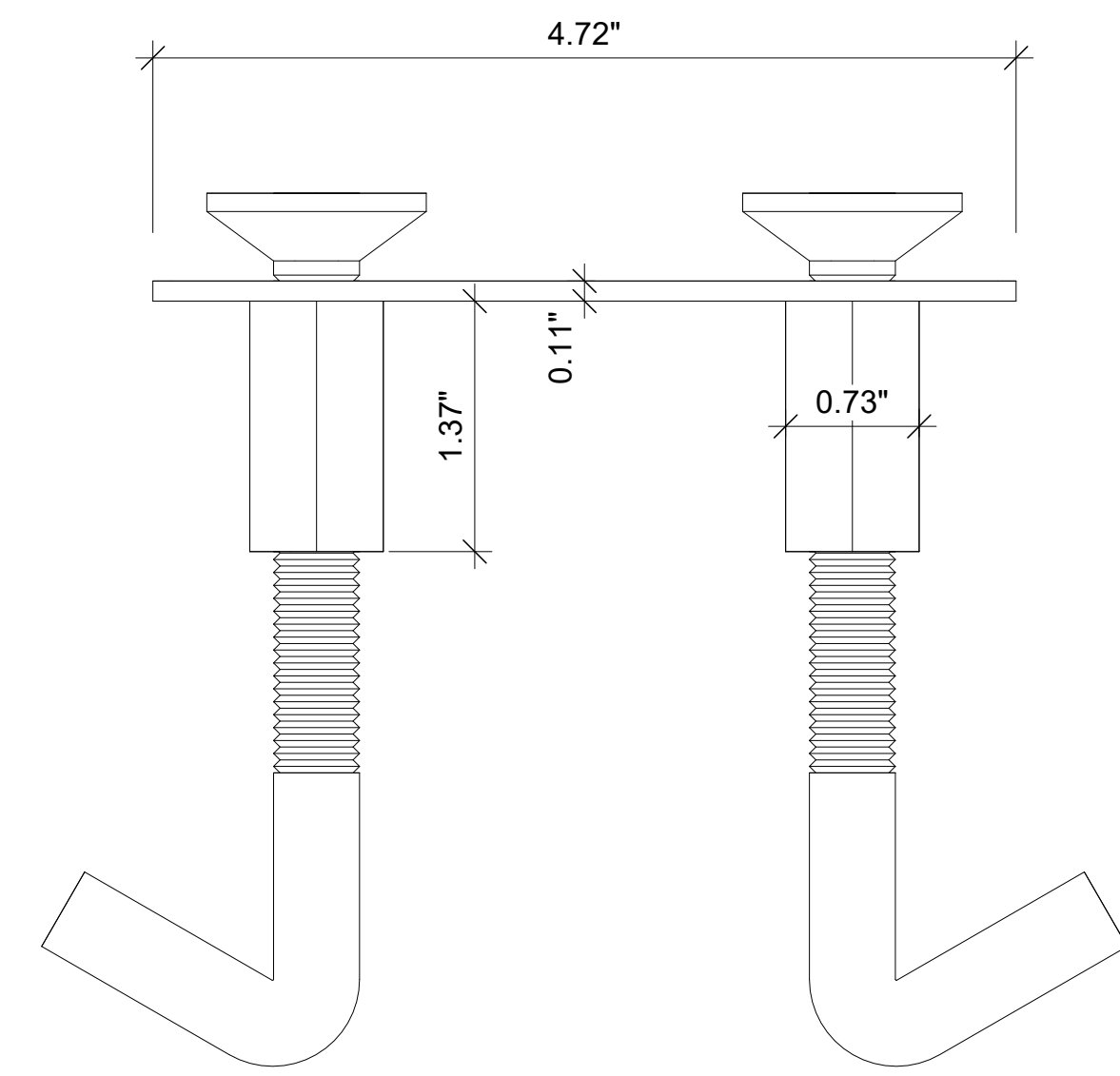
Project	D4
Date	
Scale	

12" = 1'-0"

Firm name

ZIP FLOOD CONTROL

	NAME	SIGNATURE
DRAWN		
CHECKED		
APPROVED		
MFG		
Q.A.		



No.	Revision/Issue	Date

MATERIAL:

WEIGHT:

UNLESS OTHERWISE SPECIFIED:
 • DIMENSIONS ARE IN INCHES
 • PLANKS MAY BE UP TO 5" WIDER BUT MAY NOT BE NARROWER

Drawing name

Small Base Plate

Project	D5
Date	
Scale 12" = 1'-0"	